

HANTS®



HANTS CONTROL LIMITED

No.42,Jialing Street, Cianjhen District, Kaohsiung City, Taiwan

Tel: +886-7-3311060 Fax: +886-7-3310100

E-mail: sales@hants.com.tw

www.hants.com.tw



HANTS CONTROL LIMITED

No.42,Jialing Street, Cianjhen District, Kaohsiung City, Taiwan

Tel: +886-7-3311060 Fax: +886-7-3310100

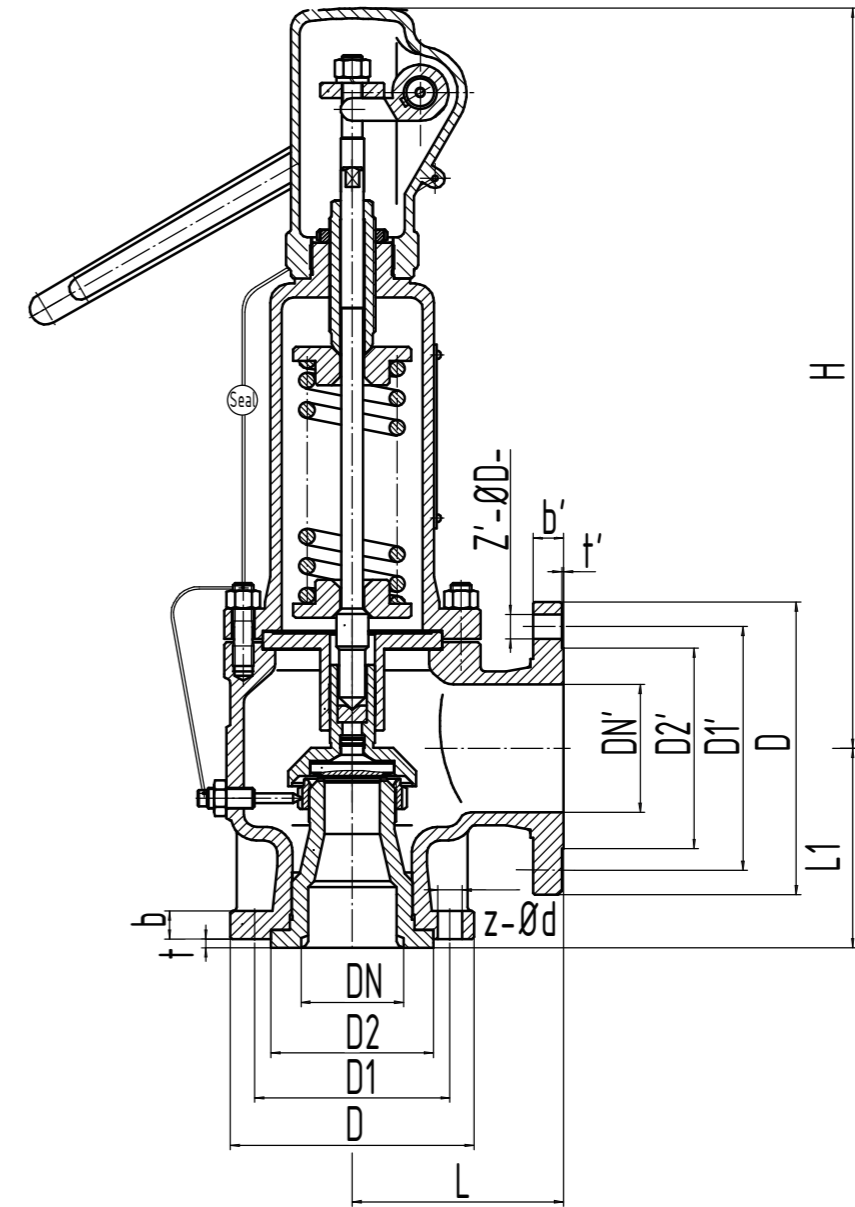
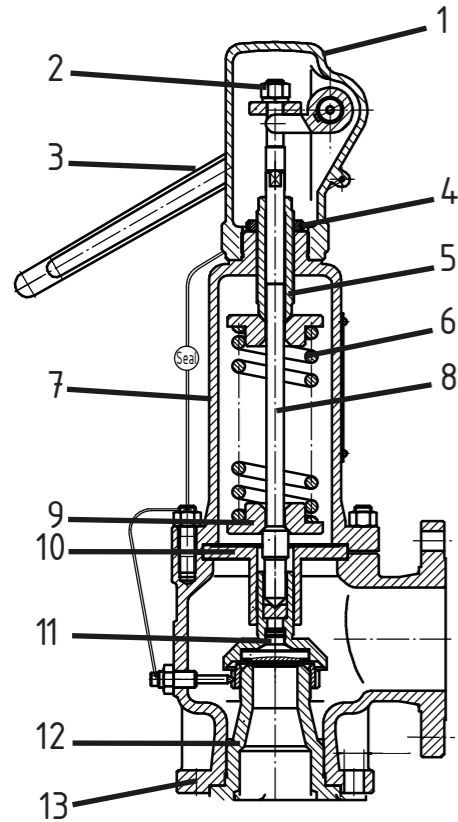
E-mail: sales@hants.com.tw

www.hants.com.tw

901

series

HANTS 901 Safety Valve
Connection: CLASS 150/300/600/900....



series

NO.	PARTS	MATERIAL
1	TAPA	SS316L WCB A216 2205 DUPLEX STAINLESS
2	TUERCA DE BLOQUEO	SS304 ACERO SS304
3	PALANCA	SS316L WCB A216 SS316L
4	TUERCA TORNILLO AJUSTE	SS304 ACERO SS304
5	TORNILLO DE AJUSTE	SS316L ACERO 2205 DUPLEX STAINLESS
6	RESORTE	50CrVa INCONEL X-750 50CRVA
7	CUERPO INTERMEDIO	SS316L WCB A216 2205 DUPLEX STAINLESS
8	VASTAGO	SS316L SUS420 2205 DUPLEX STAINLESS
9	PLATILLOS RESORTE	SS316L ACERO 2205 DUPLEX STAINLESS
10	GUIA	SS316L SS316 2205 DUPLEX STAINLESS
11	DISCO	SS316L SS316 2205 DUPLEX STAINLESS
12	ASIENTO	SS316L SS316 2205 DUPLEX STAINLESS
13	CUERPO PRINCIPAL	SS316L WCB A216 2205 DUPLEX STAINLESS

NO.	ITEM	HANTS 901
1	PRESION NOMINAL	CLASS 300
2	RESISTENCIA DEL CUERPO	5.0 MPA
3	PRESION DE AJUSTE	0.06 ~ 5.0 MPA
4	PRESION DE SELLO	5.0 MPA
5	PRESION DE RE-ASIENTO	CONFIGURAR PRESIÓN X 0.85 MPA
6	PRESION DE ALIVIO	CONFIGURAR PRESIÓN X 1.10 MPA
7	ALTURA DE ELEVACION	MM
8	RANGO DE TEMPERATURE DE SERVICIO	WCB ≤ 300°C, STAINLESS STEEL ≤ 200°C
9	TIPO DE SERVICIO	AIRE, GAS, VAPOR, LIQUIDO

Diametro Nominal	Diametro(mm)															
	D	D1	D2	B	T	Z-ØD	DN'	D'	D1'	D2'	B'	T'	Z-ØD'	L	L1	H
1/2" X 3/4"	95	66.5	35	15	5	4-15	20	98	70	43	14	1.6	4-15	90	90	320
3/4" X 1"	117	82.5	43	16	5	4-19	25	108	79.5	51	15	1.6	4-15	96	92	330
1 X 1 1/2"	124	89	51	18	5	4-19	40	127	98.5	73	18	1.6	4-15	115	105	340
1" X 2"	124	89	51	18	5	4-19	50	152	120.5	92	18	1.6	4-19	115	105	340
1 1/2" X 2"	156	114.5	73	20	5	4-22	50	152	120.5	92	18	1.6	4-19	121	124	360
1 1/2" X 2 1/2"	156	114.5	73	20	5	4-22	65	178	139.5	105	20	1.6	4-19	121	124	380
1 1/2" X 3"	156	114.5	73	20	5	4-22	80	190	152.5	127	22	1.6	4-19	124	130	380
2" X 2 1/2"	165	127	91	22	5	8-19	65	178	139.5	105	20	1.6	4-19	124	130	390
2" X 3"	165	127	91	22	5	8-19	80	190	152.5	127	22	1.6	4-19	124	130	390
2 1/2" X 4"	190	149	105	24	5	8-22	100	229	190.5	157	24	1.6	8-19	143	137	390
3" X 4"	210	168.5	127	28	5	8-22	100	229	190.5	157	24	1.6	8-19	162	156	460
4" X 6"	254	200	157	32	10	8-22	150	279	241.5	216	26	1.6	8-22	210	197	540
6" X 8"	318	270	216	38	10	12-22	200	343	298.5	270	29	1.6	8-22	241	240	780
8" X 10"	381	330	270	42	10	12-25	250	406	362	324	31	1.6	12-25	279	276	820
10" X 12"	445	387.5	324	46	10	16-29	350	533	476	413	35	1.6	12-28	350	330	890

HANTS 901

series

Capacity Fig.

Capacity saturated steam / air incl. 10% overpressure																		
Orifice	Set gauge pressure (psig)						I Saturated steam (kg/hr)						II Air 60°F and 14.7psia (kg/hr)					
	1" X 2"		1 1/2" X 2"		1 1/2" X 2 1/2"		1 1/2" X 3"		2" X 3"		3" X 4"		4" X 6"		4" X 6"		6" X 8"	
	E		F		G		H		J		L		N		P		Q	
PSIG	I	II	I	II	I	II	I	II	I	II	I	II	I	II	I	II	I	II
15	101	162	153	246	251	403	388	624	630	1014	1402	2258	2146	3455	2756	4438	5437	8754
20	118	191	179	289	294	475	454	735	738	1194	1643	2658	2515	4068	3230	5226	6371	10307
25	135	220	205	333	337	546	521	846	846	1374	1884	3059	2884	4681	3704	6013	7306	11860
30	153	249	231	376	380	618	588	956	954	1553	2125	3459	3253	5294	4178	6800	8241	13413
35	170	277	258	420	423	690	654	1067	1063	1733	2366	3860	3622	5907	4652	7588	9175	14966
40	187	306	284	464	466	761	721	1178	1171	1913	2608	4260	3991	6520	5126	8375	10110	16518
45	205	335	310	507	509	833	787	1288	1279	2093	2849	4661	4360	7133	5600	9162	11045	18071
50	222	364	336	551	552	904	854	1399	1387	2273	3090	5061	4729	7746	6074	9950	11980	19624
55	239	392	362	594	595	976	921	1510	1496	2453	3331	5462	5098	8359	6548	10737	12914	21177
60	257	421	389	638	638	1047	987	1621	1604	2632	3572	5862	5467	8972	7022	11524	13849	22730
65	274	450	415	682	681	1119	1054	1731	1712	2812	3813	6263	5836	9585	7495	12312	14784	24283
70	291	479	441	725	724	1190	1121	1842	1820	2992	4054	6663	6205	10198	7969	13099	15719	25836
75	309	508	467	769	767	1262	1187	1953	1929	3172	4295	7064	6573	10811	8443	13886	16653	27389
80	326	536	494	812	810	1334	1254	2063	2037	3352	4536	7465	6942	11424	8917	14674	17588	28942
85	343	565	520	856	854	1405	1321	2174	2145	3532	4777	7865	7311	12037	9391	15461	18523	30495
90	361	594	546	900	897	1477	1387	2285	2253	3712	5018	8266	7680	12650	9865	16248	19457	32048
95	378	623	572	943	940	1548	1454	2396	2362	3891	5259	8666	8049	13263	10339	17036	20392	33601
100	395	651	599	987	983	1620	1521	2506	2470	4071	5501	9067	8418	13876	10813	17823	21327	35154
125	482	795	730	1205	1198	1978	1854	3060	3011	4971	6706	11069	10263	16941	13182	21760	26000	42918
150	568	939	861	1423	1413	2335	2187	3614	3552	5870	7911	13072	12108	20006	15552	25696	30674	50683
175	655	1083	992	1641	1629	2693	2520	4167	4094	6769	9117	15074	13953	23071	17921	29633	35348	58447
200	742	1227	1123	1859	1844	3051	2853	4721	4635	7668	10322	17077	15797	26136	20291	33570	40021	66212
225	828	1371	1255	2076	2059	3409	3187	5274	5176	8567	11527	19080	17642	29200	22660	37506	44695	73977
250	915	1515	1386	2294	2275	3767	3520	5828	5718	9467	12733	21082	19487	32265	25030	41443	49369	81741
275	1001	1659	1517	2512	2490	4124	3853	6382	6259	10366	13938	23085	21332	35330	27400	45380	54042	89506
300	1088	1802	1648	2730	2706	4482	4186	6935	6800	11265	15144	25087	23177	38395	29769	49316	58716	97270
325	1175	1946	1779	2948	2921	4840	4519	7489	7341	12164	16349	27090	25021	41460	32139	53253	63389	105035
350	1261	2090	1910	3166	3136	5198	4853	8042	7883	13064	17554	29093	26866	44525	34508	57190	68063	112800
375	1348	2234	2042	3384	3352	5555	5186	8596	8424	13963	18760	31095	28711	47590	36878	61126	72737	120564
400	1434	2378	2173	3602	3567	5913	5519	9150	8965	14862	19965	33098	30556	50655	39247	65063	77410	128329
425	1521	2522	2304	3820	3782	6271	5852	9703	9506	15761	21171	35101	32401	53720	41617	69000	82084	136093
450	1608	2666	2435	4038	3998	6629	6186	10257	10048	16661	22376	37103	34245	56784	43986	72936	86757	143858
475	1694	2810	2566	4256	4213	6987	6519	10810	10589	17560	23581	39106	36090	59849	46356	76873	91431	151623
493	1757	2913	2661	4413	4368	7244	6759	11209	10979	18207	24449	40548	37418	62056	48062	79708	94796	157213

HANTS 901

series

Capacity Fig.

Capacity water incl. 10% overpressure									
Orifice Letter	Set gauge pressure (psig)			Water kg/hr					
	1" X 2"	1 1/2" X 2"	1 1/2" X 2 1/2"	1 1/2" X 3"	2" X 3"	3" X 4"	4" X 6"	4" X 6"	6" X 8"
	E	F	G	H	J	L	N	P	Q
15	7094	10745	17640	27294	44336	98734	151108	194090	382818
20	7721	11695	19199	29706	48254	107462	164465	211246	416655
25	8300	12574	20641	31937	51878	115531	176815	227109	447944
30	8842	13394	21988	34022	55265	123073	188358	241935	477185
35	9353	14168	23258	35986	58455	130179	199232	255903	504736
40	9837	14901	24461	37849	61481	136916	209544	269147	530858
45	10298	15600	25608	39624	64364	143337	219371	281769	555754
50	10740	16269	26706	41323	67123	149483	228776	293850	579582
55	11164	16911	27761	42954	69774	155385	237810	305453	602467
60	11572	17530	28777	44526	72327	161072	246512	316631	624515
65	11967	18128	29758	46045	74794	166564	254918	327428	645811
70	12349	18706	30708	47514	77181	171881	263056	337880	666426
75	12720	19267	31630	48940	79497	177039	270949	348019	686422
80	13080	19813	32525	50325	81747	182050	278618	357870	705853
85	13430	20344	33396	51674	83937	186927	286082	367457	724762
90	13771	20861	34245	52988	86072	191680	293357	376800	743191
95	14105	21366	35074	54270	88154	196318	300455	385918	761173
100	14430	21859	35883	55522	90189	200849	307389	394824	778741
125	15959	24174	39684	61403	99741	222121	339945	436641	861219
150	17353	26286	43151	66767	108455	241527	369645	474789	936461
175	18643	28240	46359	71732	116519	259486	397130	510092	1006091
200	19850	30068	49360	76374	124060	276280	422833	543105	1071205
225	20987	31791	52188	80750	131169	292110	447060	574223	1132582
250	22066	33425	54871	84901	137911	307125	470039	603740	1190799
275	23094	34983	57428	88858	144339	321440	491947	631879	1246300
300	24079	36474	59876	92646	150492	335143	512920	658817	1299432
325	25025	37907	62228	96285	156404	348308	533068	684696	1350476
350	25936	39288	64495	99792	162100	360993	552482	709632	1399660
375	26816	40621	66684	103180	167602	373248	571237	733722	1447172
400	27669	41913	68804	106459	172930	385112	589395	757045	1493174
425	28496	43165	70860	109641	178098	396622	607010	779670	1537800
450	29299	44382	72858	112733	183121	407807	624128	801658	1581168
475	30081	45567	74803	115743	188009	418693	640789	823058	1623377
493	30632	46402	76173	117862	191452	426359	652522	838128	1653100